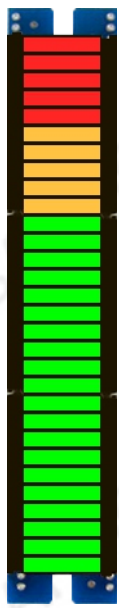


AS Series of LEDs Bargraph Meter Modules

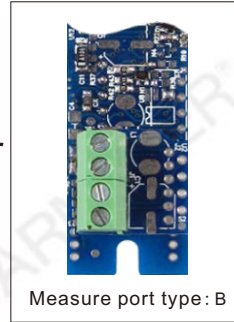
AS130P-8712S

30 Segments 87mm Single Bar-Meter Module

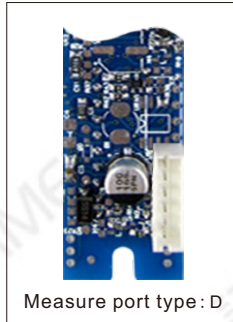
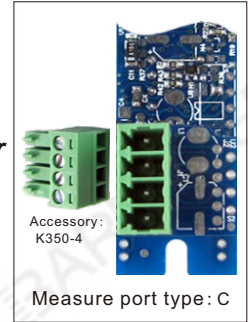
AS



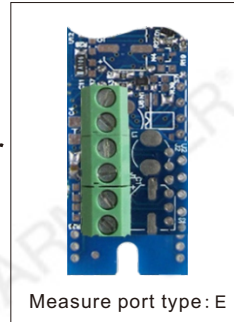
or



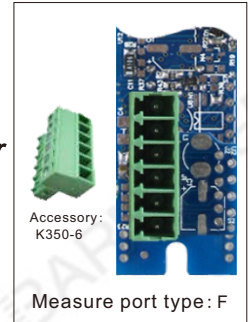
or



or



or



SPECIFICATIONS

FEATURES

- Rectangle windows technics with soft tint.
- Single module struct, easy to install.
- Wide range of power supply and low power consumption.
- Used to measure and display DC value.

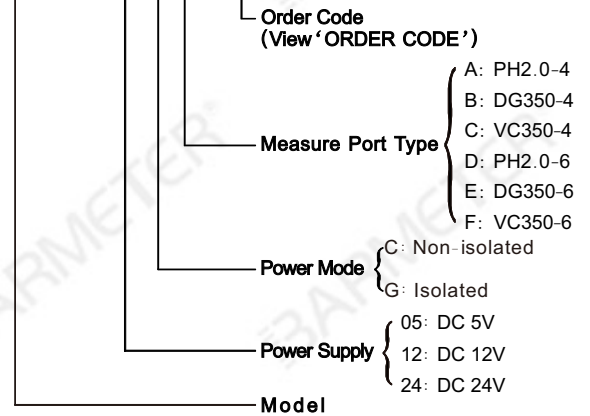
[Http://www.barmeter.com](http://www.barmeter.com)

DESCRIPTIONS

- **Input Mode:** Current, Voltage, Potentiometer, Pt100 RTD
- **Max. Input Over Capability:** 2× Input value
- **Input Resistance Via For Volt Meter:** > 500KΩ
- **Resistance Via for Current Meter:** < 50Ω
- **Measuring Accuracy:**
 - Current, Voltage ±0.5% F. S±1Segment
 - Potentiometer, Pt100 RTD ±1.0% F. S±1Segment
- **Effective Beam Number:** 30Segments
- **Bargraph Length:** 87mm
- **Segment pitch:** 3.0 mm
- **Bargraph Wdth:** 12 mm
- **Zero and Full Adjust Ratio:** ±10~20%
- **Power Supply and Range:**
 - Non-isolated** Normal: DC5V±10%
Optional: DC12V (10~15V)
DC24V (20~28V)
 - Isolated** DC5V±5%, DC12V±5%, DC24V±5%
Insulating Intension: DC1000V 1min
- **Power Consumption:** ≤ 250mW(F.S.)
- **Environment:** -30~70℃ & <85%RH

MODEL AND ORDERING CODE

AS130P-8712S 05 C A 7014



ORDER CODE

Bar color	0~5V	1~5V	0~10mA	4~20mA	0~10V
Red	7011	7012	7013	7014	7015
Green	7021	7022	7023	7024	7025
Yellow	7031	7032	7033	7034	7035

Bar color	Potentiometer	Pt100 RTD -30~100℃	Pt100 RTD 0~400℃
Red	7016	7017	7018
Green	7026	7027	7028
Yellow	7036	7037	7038

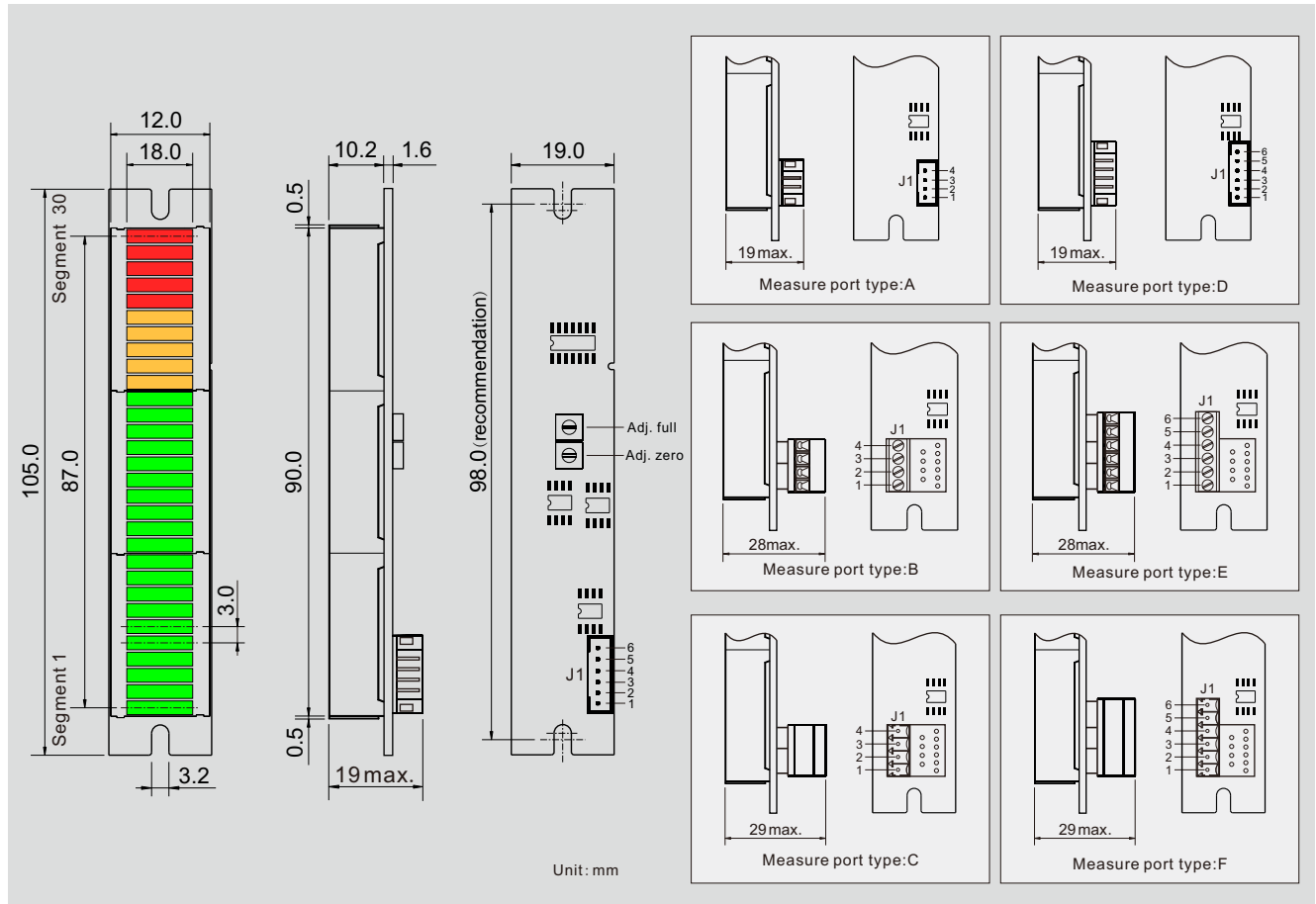
AS Series of LEDs Bargraph Meter Modules

AS130P-8712S

30 Segments 87mm Single Bar-Meter Module

AS

DIMENSION



CONNECTION DIAGRAM (J1)

4-Pin Connector

Pin No.	Symbol	Wire color	Definition
1	PS(-)	Black	Negative Power Supply
2	IN(L)	Blue	Input Low
3	IN(H)	Yellow	Input High
4	PS(+)	Red	Positive Power Supply

Notes:

4-pin connector will be supplied when the input type is voltage or current.

6-pin connector will be supplied when the input type is potentiometer or Pt100 RTD.

6-Pin Connector

Pin No.	Symbol	Wire color	Definition
1	PS(-)	Black	Negative Power Supply
2	NC / Pa	Blue	Undefined (for potentiometer input) / one input port for Pt100 RTD
3	Rc / Pb	Yellow	One input port for potentiometer / Pt100 RTD
4	PS(+)	Red	Positive Power Supply
5	Rb / NC	Purple	One input port for potentiometer / Undefined (for Pt100 RTD input)
6	Ra / Pg	White	One input port for potentiometer / Pt100 RTD

AS Series of LEDs Bargraph Meter Modules

AS130P-8712S

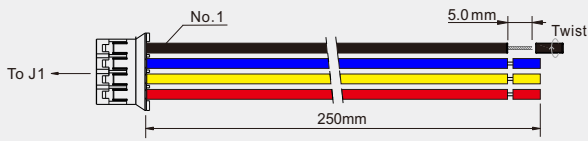
30 Segments 87mm Single Bar-Meter Module

AS

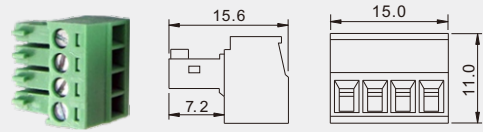
S

• CONNECTOR

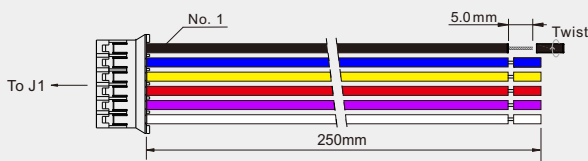
WPH-204L25-1 (Match with measure port type A)



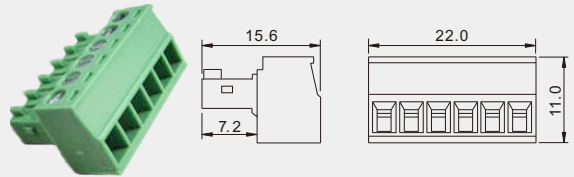
K350-4 (Match with measure port type C)



WPH-206L25-1 (Match with measure port type D)



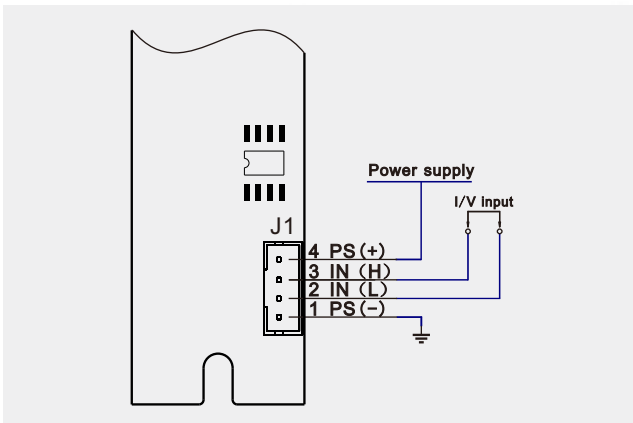
K350-6 (Match with measure port type F)



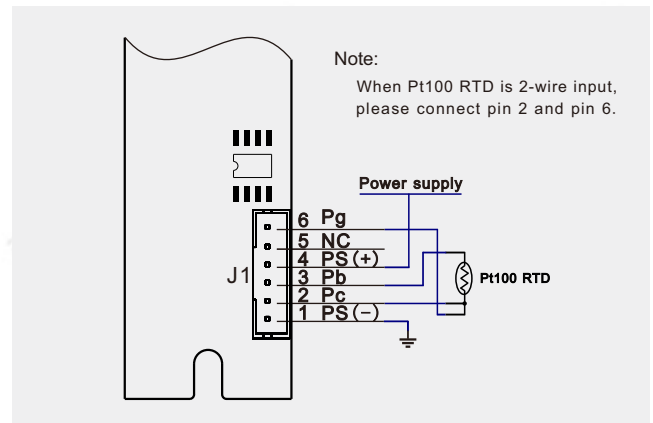
Unit: mm

■ APPLICATION EXAMPLES

• Voltage/Current



• Pt100 RTD



• Potentiometer

